

NSPT New Standard Power Transmission

FB^{inished}_{ore} **Sprockets**

**3/8"-1 1/4" Pitch Finished Bores
Simplex Sprockets**

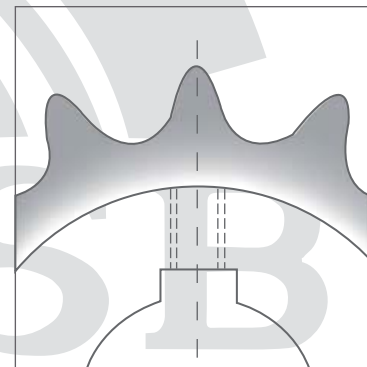
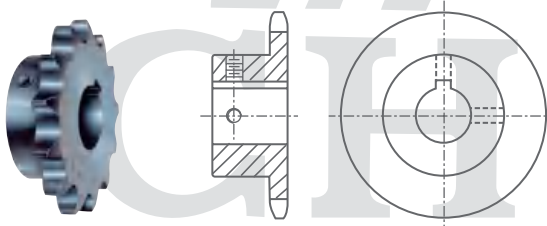


Advanced design. Best choice for high quality sprockets.

Finished Bore Sprockets

Dimensions for keyways and set screws of finished bore sprockets

Diameter of Shaft	Keyway Width X Depth	Set Screw
1/2~9/16	1/8X1/16	10-24
5/8~7/8	3/16X3/32	1/4
15/16~1 1/4	1/4X1/8	5/16
1 5/16~1 3/8	5/16X5/32	5/16
1 7/16~1 3/4	3/8X3/16	3/8
1 13/16~2 1/4	1/2X1/4	1/2
2 5/16~2 3/4	5/8X5/16	5/8
2 13/16~3 1/4	3/4X3/8	5/8
3 5/16~3 3/4	7/8X7/16	3/4
3 13/16~4 1/2	1X1/2	3/4
4 9/16~5 1/2	1 1/4X5/8	3/4
5 9/16~6 1/2	1 1/2X3/4	3/4



Teeth: Inductioned hardness HRC40-50 Finished bore tolerance HT. Roughness value RA1.6. Keyway to USAS B 17.1 1967

Recommended Tolerance for the bore of finished sprockets.

≤ 1"	+0.001/-0
1 1/16"-2"	+0.002/-0
2 1/16"-3"	+0.003/-0
≥ 3 1/16"	+0.004/-0

Other than above, precision 6-8 grade can also be selected.

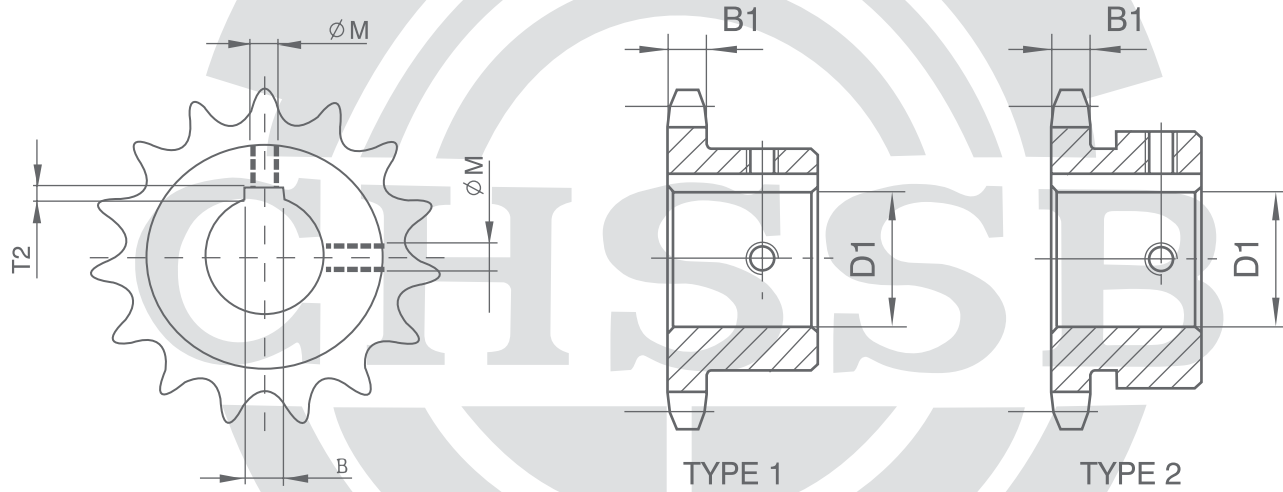
Common Material For Sprockets.

Material for sprockets can be selected according to the A6 usage. The most common used materials for sprockets are steel, cast iron, various kinds of cast steel, stainless steel, bronze, nylon, etc.



With standardized design and well-equipped CNC Machining system, the NSPT Finished bore Sprockets have high precision and good interchangeability.

F_B^{inished}
ore **Sprockets**

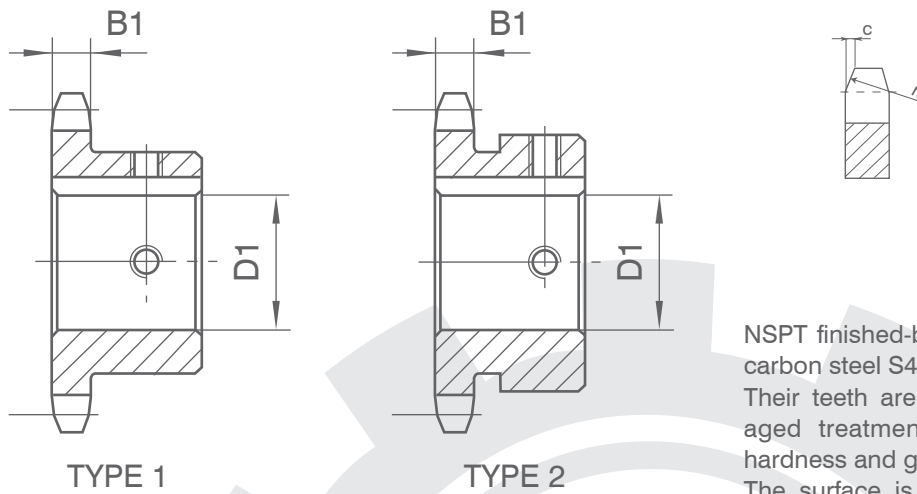


Bore Dia. D1	Width of keyway B	Height of keyway T2	Tap hole dia. Ø M
1/2 H7	1/8	1/16	10-24
5/8 H7	3/16	3/32	1/4
3/4 H7	3/16	3/32	1/4
7/8 H7	3/16	3/32	1/4
1" H7	1/4	1/8	5/16
1 1/8 H7	1/4	1/8	5/16
1 3/16 H7	1/4	1/8	5/16
1 1/4 H7	1/4	1/8	5/16
1 3/8 H7	5/16	5/32	5/16
1 7/16 H7	3/8	3/16	3/8
1 1/2 H7	3/8	3/16	3/8

Bore Dia. D1	Width of keyway B	Height of keyway T2	Tap hole dia. Ø M
1 5/8 H7	3/8	3/16	3/8
1 3/4 H7	3/8	3/16	3/8
1 15/16 H7	1/2	1/4	1/2
2" H7	1/2	1/4	1/2
2 3/16 H7	1/2	1/4	1/2
2 1/4 H7	1/2	1/4	1/2
2 7/16 H7	5/8	5/16	5/8
2 1/2 H7	5/8	5/16	5/8
2 5/8 H7	5/8	5/16	5/8
2 3/4 H7	5/8	5/16	5/8
2 15/16 H7	3/4	3/8	5/8

FB^{inished}_{ore} **Sprockets**

35-1
3/8"X3/16"



Pinions		Inches
Tooth Radius	r ₃	0.398
Radius Width	C	0.047
Tooth Width	B ₁	0.168

ROLLER-Ø0.200"

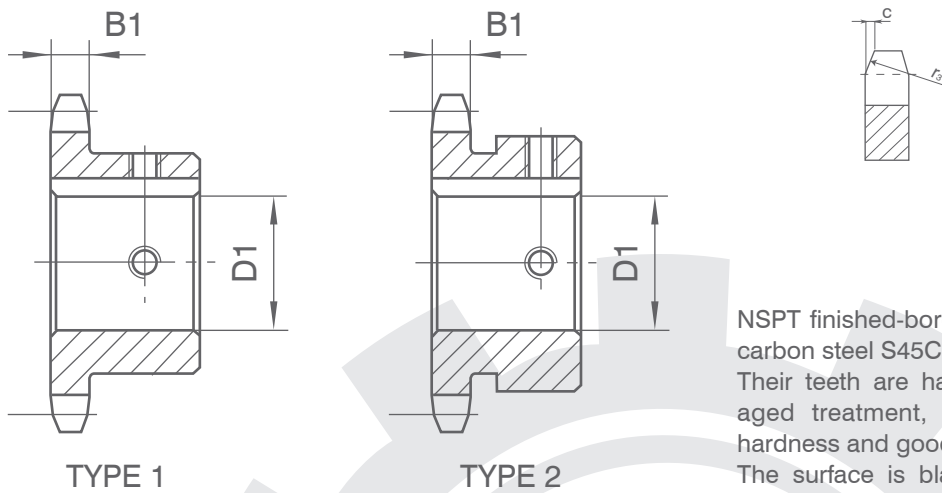
NSPT finished-bore sprockets are made of fine quality carbon steel S45C. Their teeth are hardened to HRC40-50. After special aged treatment, they have stable quality, uniform hardness and good durability. The surface is black oxidized and the products are boxed individually. They are in-stock with complete series for immediate delivery.

35-1 FOR 3/8" PITCH ANSI CHAIN

Teeth No.	Catalog NO.	O.D.	LTB	WT Lbs	Finished Bore D1								
					3/8	1/2	5/8	3/4	7/8	1	1 1/8	1 3/16	1 1/4
9	FB35B09H	1.26	3/4	0.10	●								
10	FB35B10H	1.38	3/4	0.11	●								
11	FB35B11H	1.50	3/4	0.15	●	●							
12	FB35B12H	1.63	3/4	0.18		●							
13	FB35B13H	1.75	3/4	0.20		●							
14	FB35B14H	1.87	3/4	0.22		●							
15	FB35B15H	1.99	3/4	0.24		●							
16	FB35B16H	2.11	3/4	0.29		●							
17	FB35B17H	2.23	3/4	0.36		●			●				
18	FB35B18H	2.35	3/4	0.39		●			●				
19	FB35B19H	2.47	3/4	0.44		●			●				
20	FB35B20H	2.59	3/4	0.51		●			●				
21	FB35B21H	2.71	7/8	0.75		●			●				
22	FB35B22H	2.83	7/8	0.76		●			●				
23	FB35B23H	2.95	7/8	0.78		●			●				
24	FB35B24H	3.07	7/8	0.79		●			●				
25	FB35B25H	3.19	7/8	0.80		●			●				
26	FB35B26H	3.31	7/8	0.84					●		●		●
27	FB35B27H	3.43	7/8	0.86					●		●		●
28	FB35B28H	3.55	7/8	0.88					●		●		●
30	FB35B30H	3.79	7/8	0.96					●		●		●
32	FB35B32H	4.03	7/8	1.14					●		●		●
35	FB35B35H	4.39	7/8	1.38					●		●		●
36	FB35B36H	4.51	7/8	1.41					●		●		●
40	FB35B40H	4.99	1	1.56					●		●		●
42	FB35B42H	5.23	1	1.64					●		●		●
45	FB35B45H	5.59	1	1.74					●		●		●
48	FB35B48H	5.95	1	1.86					●		●		●
54	FB35B54H	6.66	1	1.98					●		●		●
60	FB35B60H	7.38	1	2.34					●		●		●
70	FB35B70	8.58	1	3.14					●		●		●
72	FB35B72	8.81	1	3.30					●		●		●

FB^{inished}_{ore} Sprockets

40-1
1/2"X5/16"



Pinions		Inches
Tooth Radius	r ₃	0.530
Radius Width	C	0.060
Tooth Width	B ₁	0.284

ROLLER-Ø0.312"

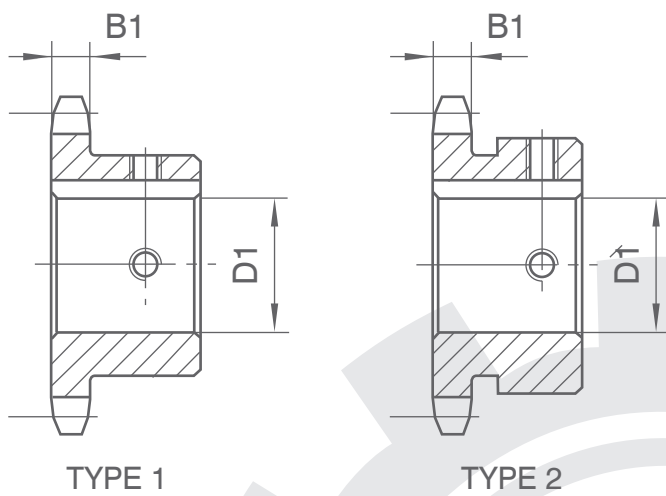
NSPT finished-bore sprockets are made of fine quality carbon steel S45C. Their teeth are hardened to HRC40-50. After special aged treatment, they have stable quality, uniform hardness and good durability. The surface is black oxidized and the products are boxed individually. They are in-stock with complete series for immediate delivery.

40-1 FOR 3/8" PITCH ANSI CHAIN

Teeth No.	Catalog NO.	O.D.	LTB	WT Lbs	Finished Bore D1											
					1/2	5/8	3/4	7/8	1	1 1/8	1 3/16	1 1/4	1 3/8	1 7/16	1 1/2	
9	FB40B9H	1.67	7/8	0.16	●	●										
10	FB40B10H	1.84	7/8	0.24	●	●	●									
11	FB40B11H	2.00	7/8	0.28	●	●	●	●								
12	FB40B12H	2.17	7/8	0.34	●	●	●	●	●							
13	FB40B13H	2.33	7/8	0.45	●	●	●	●	●							
14	FB40B14H	2.49	7/8	0.51	●	●	●	●	●	●						
15	FB40B15H	2.65	7/8	0.53	●	●	●	●	●	●	●					
16	FB40B16H	2.81	7/8	0.66		●	●	●	●	●	●	●				
17	FB40B17H	2.98	1	0.88		●	●	●	●	●	●	●	●			
18	FB40B18H	3.14	1	1.03		●	●	●	●	●	●	●	●	●		
19	FB40B19H	3.30	1	1.17		●	●	●	●	●	●	●	●	●	●	
20	FB40B20H	3.46	1	1.33		●	●	●	●	●	●	●	●	●	●	
21	FB40B21H	3.62	1	1.53		●	●	●	●	●	●	●	●	●	●	
22	FB40B22H	3.78	1	1.66		●	●	●	●	●	●	●	●	●	●	
23	FB40B23H	3.94	1	1.92		●	●	●	●	●	●	●	●	●	●	
24	FB40B24H	4.10	1	2.10		●	●	●	●	●	●	●	●	●	●	
25	FB40B25H	4.26	1	2.22		●	●	●	●	●	●	●	●	●	●	
26	FB40B26H	4.42	1	2.34		●	●	●	●	●	●	●	●	●	●	
27	FB40B27H	4.58	1	2.42		●	●	●	●	●	●	●	●	●	●	
28	FB40B28H	4.74	1	2.50		●	●	●	●	●	●	●	●	●	●	
30	FB40B30H	5.06	1	2.70			●	●	●	●	●	●	●	●	●	
32	FB40B32H	5.38	1	3.00			●	●	●	●	●	●	●	●	●	
35	FB40B35H	5.86	1	3.20			●	●	●	●	●	●	●	●	●	
36	FB40B36H	6.02	1	3.39			●	●	●	●	●	●	●	●	●	
40	FB40B40H	6.65	1 1/8	4.28			●	●	●	●	●	●	●	●	●	
42	FB40B42H	6.97	1 1/8	4.64			●	●	●	●	●	●	●	●	●	
45	FB40B45H	7.45	1 1/8	5.06			●	●	●	●	●	●	●	●	●	
48	FB40B48H	7.93	1 1/8	5.66			●	●	●	●	●	●	●	●	●	
54	FB40B54	8.89	1 1/8	6.24			●	●	●	●	●	●	●	●	●	
60	FB40B60	9.84	1 1/8	7.68			●	●	●	●	●	●	●	●	●	
70	FB40B70	11.43	1 1/4	10.80			●	●	●	●	●	●	●	●	●	
72	FB40B72	11.75	1 1/4	11.30			●	●	●	●	●	●	●	●	●	
80	FB40B80	13.03	1 1/4	13.20			●	●	●	●	●	●	●	●	●	
84	FB40B84	13.66	1 1/4	13.84			●	●	●	●	●	●	●	●	●	
96	FB40B96	15.57	1 1/4	17.44			●	●	●	●	●	●	●	●	●	

FB^{inished}_{ore} Sprockets

41-1
1/2"X1/4"



Pinions		Inches
Tooth Radius	r ₃	0.530
Radius Width	C	0.060
Tooth Width	B ₁	0.227
ROLLER-Ø0.306"		

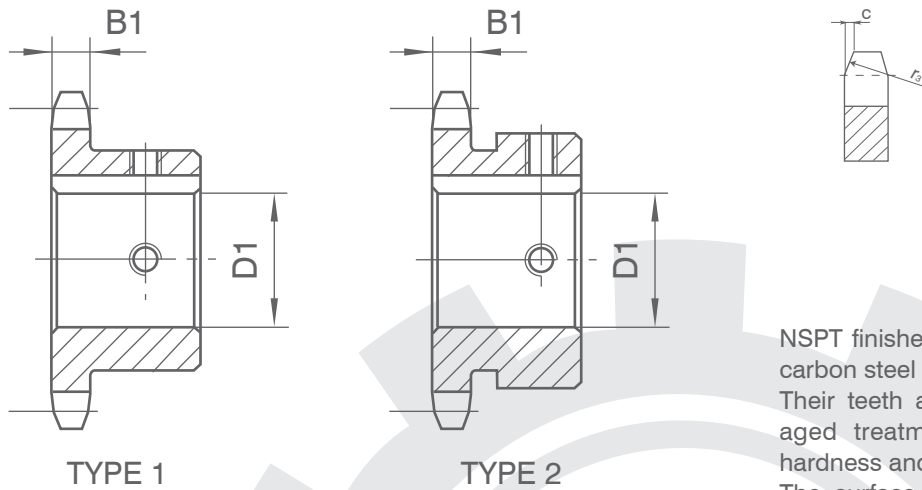
NSPT finished-bore sprockets are made of fine quality carbon steel S45C. Their teeth are hardened to HRC40-50. After special aged treatment, they have stable quality, uniform hardness and good durability. The surface is black oxidized and the products are boxed individually. They are in-stock with complete series for immediate delivery.

41-1 FOR 3/8" PITCH ANSI CHAIN

Teeth No.	Catalog NO.	O.D.	LTB	WT Lbs	Finished Bore D1											
					1/2	5/8	3/4	7/8	1	1 1/8	1 3/16	1 1/4	1 3/8	1 7/16	1 1/2	
9	FB41B9	1.67	7/8	0.20	●	●										
10	FB41B10	1.84	7/8	0.25	●	●										
11	FB41B11	2.00	7/8	0.32	●	●	●									
12	FB41B12	2.17	7/8	0.33	●	●	●	●								
13	FB41B13	2.33	7/8	0.43	●	●	●	●	●							
14	FB41B14	2.49	7/8	0.48	●	●	●	●	●							
15	FB41B15	2.65	7/8	0.59	●	●	●	●	●							
16	FB41B16	2.81	7/8	0.72		●	●	●	●	●						
17	FB41B17	2.98	1	1.00		●	●	●	●	●						
18	FB41B18	3.14	1	1.10		●	●	●	●	●						
19	FB41B19	3.30	1	1.21		●	●	●	●	●						
20	FB41B20	3.46	1	1.39		●	●	●	●	●						
21	FB41B21	3.62	1	1.77		●	●	●	●	●						
22	FB41B22	3.78	1	1.92		●	●	●	●	●						
23	FB41B23	3.94	1	2.18		●	●	●	●	●						
24	FB41B24	4.10	1	2.24		●	●	●	●	●						
25	FB41B25	4.26	1	2.42		●	●	●	●	●						
26	FB41B26	4.42	1	2.46		●	●	●	●	●						
27	FB41B27	4.58	1	2.52		●	●	●	●	●						
28	FB41B28	4.74	1	2.60		●	●	●	●	●						
30	FB41B30	5.06	1	2.76		●	●	●	●	●						
32	FB41B32	5.37	1	2.92		●	●	●	●	●						
35	FB41B35	5.86	1	3.08		●	●	●	●	●						
36	FB41B36	6.02	1	3.28		●	●	●	●	●						
40	FB41B40	6.65	1 1/16	3.82			●		●	●	●	●	●	●	●	
42	FB41B42	6.97	1 1/16	3.88			●		●	●	●	●	●	●	●	
45	FB41B45	7.45	1 1/16	3.94			●		●	●	●	●	●	●	●	
48	FB41B48	7.93	1 1/16	4.68			●		●	●	●	●	●	●	●	
54	FB41B54	8.89	1 1/16	5.44			●		●	●	●	●	●	●	●	
60	FB41B60	9.84	1 1/16	6.54			●		●	●	●	●	●	●	●	

FB^{inished}_{ore} Sprockets

50-1
5/8"X3/8"



Pinions		Inches
Tooth Radius	r ₃	0.665
Radius Width	C	0.079
Tooth Width	B ₁	0.343
ROLLER-Ø0.400"		

NSPT finished-bore sprockets are made of fine quality carbon steel S45C. Their teeth are hardened to HRC40-50. After special aged treatment, they have stable quality, uniform hardness and good durability. The surface is black oxidized and the products are boxed individually. They are in-stock with complete series for immediate delivery.

50-1 FOR 5/8" PITCH ANSI CHAIN

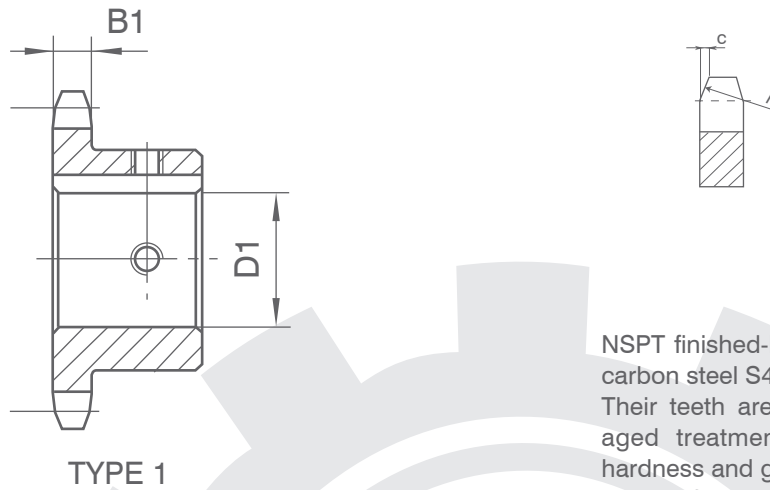
Teeth No.	Catalog NO.	O.D.	LTB	WT Lbs	Finished Bore D1															
					5/8	3/4	7/8	1	1 1/8	1 3/16	1 1/4	1 3/8	1 7/16	1 1/2	1 5/8	1 3/4	1 5/16			
9	FB50B9H	2.09	1	0.30	●	●														
10	FB50B10H	2.30	1	0.30	●	●	●	●												
11	FB50B11H	2.50	1	0.60	●	●	●	●												
12	FB50B12H	2.71	1	0.70	●	●	●	●	●	●	●									
13	FB50B13H	2.91	1	0.80	●	●	●	●	●	●	●	●								
14	FB50B14H	3.11	1	1.00	●	●	●	●	●	●	●	●								
15	FB50B15H	3.32	1	1.20	●	●	●	●	●	●	●	●	●							
16	FB50B16H	3.52	1	1.45	●	●	●	●	●	●	●	●	●	●						
17	FB50B17H	3.72	1	1.60	●	●	●	●	●	●	●	●	●	●	●					
18	FB50B18H	3.92	1	1.90	●	●	●	●	●	●	●	●	●	●	●	●				
19	FB50B19H	4.12	1	2.00	●	●	●	●	●	●	●	●	●	●	●	●				
20	FB50B20H	4.32	1	2.10		●	●	●	●	●	●	●	●	●	●	●	●			
21	FB50B21H	4.52	1	2.25		●	●	●	●	●	●	●	●	●	●	●	●			
22	FB50B22H	4.72	1	2.40		●	●	●	●	●	●	●	●	●	●	●	●			
23	FB50B23H	4.92	1	2.50		●	●	●	●	●	●	●	●	●	●	●	●			
24	FB50B24H	5.12	1 1/4	3.00		●	●	●	●	●	●	●	●	●	●	●	●			
25	FB50B25H	5.32	1 1/4	3.10		●	●	●	●	●	●	●	●	●	●	●	●			
26	FB50B26H	5.52	1 1/4	3.30		●	●	●	●	●	●	●	●	●	●	●	●			
27	FB50B27H	5.72	1 1/4	3.46		●	●	●	●	●	●	●	●	●	●	●	●			
28	FB50B28H	5.92	1 1/4	3.60		●	●	●	●	●	●	●	●	●	●	●	●			
30	FB50B30H	6.32	1 1/4	3.90		●	●	●	●	●	●	●	●	●	●	●	●			
32	FB50B32H	6.72	1 1/4	4.70		●	●	●	●	●	●	●	●	●	●	●	●			
35	FB50B35H	7.32	1 1/4	5.30		●	●	●	●	●	●	●	●	●	●	●	●			
36	FB50B36H	7.52	1 1/4	5.50		●	●	●	●	●	●	●	●	●	●	●	●			
40	FB50B40H	8.32	1 1/4	6.20		●	●	●	●	●	●	●	●	●	●	●	●			
42	FB50B42	8.72	1 1/4	6.68		●	●	●	●	●	●	●	●	●	●	●	●			
45	FB50B45	9.31	1 1/4	8.00		●	●	●	●	●	●	●	●	●	●	●	●			
48	FB50B48	9.91	1 1/4	9.03		●	●	●	●	●	●	●	●	●	●	●	●			
54	FB50B54	11.11	1 1/4	10.75		●	●	●	●	●	●	●	●	●	●	●	●			
60	FB50B60	12.30	1 1/4	13.50		●	●	●	●	●	●	●	●	●	●	●	●			
70	FB50B70	14.29	1 3/4	17.81		●	●	●	●	●	●	●	●	●	●	●	●			
72	FB50B72	14.68	1 3/4	19.13		●	●	●	●	●	●	●	●	●	●	●	●			
80	FB50B80	16.28	1 3/4	24.39		●	●	●	●	●	●	●	●	●	●	●	●			
84	FB50B84	17.08	1 3/4	25.15		●	●	●	●	●	●	●	●	●	●	●	●			
96	FB50B96	19.48	1 3/4	32.57		●	●	●	●	●	●	●	●	●	●	●	●			



New Standard Power Transmission

FB^{inished}_{ore} **Sprockets**

60-1
3/4"X1/2"



Pinions		Inches
Tooth Radius	r _s	0.800
Radius Width	C	0.094
Tooth Width	B ₁	0.459
ROLLER-Ø0.469"		

NSPT finished-bore sprockets are made of fine quality carbon steel S45C. Their teeth are hardened to HRC40-50. After special aged treatment, they have stable quality, uniform hardness and good durability. The surface is black oxidized and the products are boxed individually. They are in-stock with complete series for immediate delivery.

60-1 FOR 3/4" PITCH ANSI CHAIN

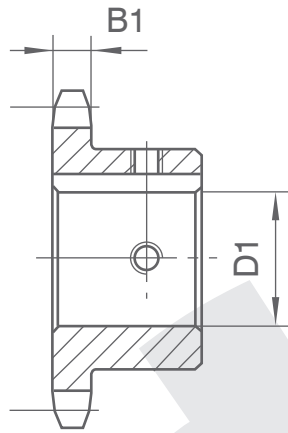
Teeth No.	Catalog NO.	O.D.	LTB	WT Lbs	Finished Bore D1													
					3/4	7/8	1	1 1/8	1 3/16	1 1/4	1 3/8	1 7/16	1 1/2	1 5/8	1 3/4	1 5/16	2	2 3/16
9	FB60B9H	2.51	1 1/4	0.60	●	●	●											
10	FB60B10H	2.76	1 1/4	0.70	●	●	●	●										
11	FB60B11H	3.00	1 1/4	0.90	●	●	●	●	●									
12	FB60B12H	3.25	1 1/4	1.30	●	●	●	●	●	●								
13	FB60B13H	3.49	1 1/4	1.30	●	●	●	●	●	●	●							
14	FB60B14H	3.74	1 1/4	1.60	●	●	●	●	●	●	●	●						
15	FB60B15H	3.98	1 1/4	1.70	●	●	●	●	●	●	●	●	●					
16	FB60B16H	4.22	1 1/4	2.10	●	●	●	●	●	●	●	●	●	●				
17	FB60B17H	4.46	1 1/4	2.40		●	●	●	●	●	●	●	●	●	●			
18	FB60B18H	4.70	1 1/4	2.60		●	●	●	●	●	●	●	●	●	●	●		
19	FB60B19H	4.95	1 1/4	3.40		●	●	●	●	●	●	●	●	●	●	●		
20	FB60B20H	5.19	1 1/4	3.90		●	●	●	●	●	●	●	●	●	●	●		
21	FB60B21H	5.43	1 1/4	4.40		●	●	●	●	●	●	●	●	●	●	●		
22	FB60B22H	5.67	1 1/4	4.70		●	●	●	●	●	●	●	●	●	●	●		
23	FB60B23H	5.91	1 1/4	5.00		●	●	●	●	●	●	●	●	●	●	●		
24	FB60B24H	6.15	1 1/4	5.30			●	●	●	●	●	●	●	●	●	●		
25	FB60B25H	6.39	1 1/4	5.40			●	●	●	●	●	●	●	●	●	●		
26	FB60B26H	6.63	1 1/4	5.80			●	●	●	●	●	●	●	●	●	●		
27	FB60B27H	6.87	1 1/4	6.30			●	●	●	●	●	●	●	●	●	●		
28	FB60B28H	7.11	1 1/4	6.40			●	●	●	●	●	●	●	●	●	●		
30	FB60B30H	7.59	1 1/4	7.10			●	●	●	●	●	●	●	●	●	●		
32	FB60B32H	8.07	1 1/4	7.80			●	●	●	●	●	●	●	●	●	●		
35	FB60B35H	8.78	1 1/4	8.80			●	●	●	●	●	●	●	●	●	●		
36	FB60B36H	9.02	1 1/4	9.20			●	●	●	●	●	●	●	●	●	●		
40	FB60B40	9.98	1 1/4	11.20			●	●	●	●	●	●	●	●	●	●		
42	FB60B42	10.46	1 1/4	12.40			●	●	●	●	●	●	●	●	●	●	●	
45	FB60B45	11.18	1 1/4	13.80			●	●	●	●	●	●	●	●	●	●	●	
48	FB60B48	11.89	1 1/4	15.40			●	●	●	●	●	●	●	●	●	●	●	
54	FB60B54	13.33	1 3/4	21.00			●	●	●	●	●	●	●	●	●	●	●	
60	FB60B60	14.76	1 3/4	25.00			●	●	●	●	●	●	●	●	●	●	●	
70	FB60B70	17.15	1 3/4	31.40							●	●	●	●	●	●	●	
72	FB60B72	17.63	2	33.50							●	●	●	●	●	●	●	
80	FB60B80	19.54	2	41.20							●	●	●	●	●	●	●	
84	FB60B84	20.49	2	45.80							●	●	●	●	●	●	●	
96	FB60B96	23.36	2 1/4	62.30							●	●	●	●	●	●	●	



New Standard Power Transmission



80-1
1"X5/8"



Pinions		Inches
Tooth Radius	r ₃	1.060
Radius Width	C	0.126
Tooth Width	B ₁	0.575
ROLLER-ϕ0.625"		

NSPT finished-bore sprockets are made of fine quality carbon steel S45C. Their teeth are hardened to HRC40-50. After special aged treatment, they have stable quality, uniform hardness and good durability. The surface is black oxidized and the products are boxed individually. They are in-stock with complete series for immediate delivery.

80-1 FOR 1" PITCH ANSI CHAIN

Teeth No.	Catalog NO.	O.D.	LTB	WT Lbs	Finished Bore D1															
					1	1 1/8	1 3/16	1 1/4	1 3/8	1 7/16	1 1/2	1 5/8	1 3/4	1 7/8	1 15/16	2	2 3/16	2 7/16	2 15/16	
9	FB80B9H	3.35	1 5/8	1.60	●	●	●	●												
10	FB80B10H	3.68	1 5/8	1.70	●	●	●	●												
11	FB80B11H	4.01	1 5/8	1.80	●	●	●	●	●											
12	FB80B12H	4.33	1 5/8	3.00	●	●	●	●	●	●										
13	FB80B13H	4.66	1 1/2	3.50	●	●	●	●	●	●	●									
14	FB80B14H	4.98	1 1/2	4.10	●	●	●	●	●	●	●									
15	FB80B15H	5.30	1 1/2	5.20	●	●	●	●	●	●	●	●								
16	FB80B16H	5.63	1 1/2	5.50	●	●	●	●	●	●	●	●	●							
17	FB80B17H	5.95	1 1/2	6.00	●	●	●	●	●	●	●	●	●	●						
18	FB80B18H	6.27	1 1/2	6.50	●	●	●	●	●	●	●	●	●	●	●					
19	FB80B19H	6.59	1 1/2	7.00	●	●	●	●	●	●	●	●	●	●	●	●				
20	FB80B20H	6.91	1 1/2	8.00	●	●	●	●	●	●	●	●	●	●	●	●	●			
21	FB80B21H	7.24	1 3/4	8.90	●	●	●	●	●	●	●	●	●	●	●	●	●	●		
22	FB80B22H	7.56	1 3/4	9.50	●	●	●	●	●	●	●	●	●	●	●	●	●	●		
23	FB80B23H	7.88	1 3/4	10.20	●	●	●	●	●	●	●	●	●	●	●	●	●	●		
24	FB80B24H	8.20	1 3/4	10.80	●	●	●	●	●	●	●	●	●	●	●	●	●	●		
25	FB80B25H	8.52	1 3/4	11.40	●	●	●	●	●	●	●	●	●	●	●	●	●	●		
26	FB80B26H	8.84	2	14.00			●	●	●	●	●	●	●	●	●	●	●	●	●	
27	FB80B27H	9.16	2	14.70			●	●	●	●	●	●	●	●	●	●	●	●	●	
28	FB80B28H	9.48	2	15.30			●	●	●	●	●	●	●	●	●	●	●	●	●	
30	FB80B30H	10.11	2	16.70				●	●	●	●	●	●	●	●	●	●	●	●	
32	FB80B32H	10.75	2	18.80				●	●	●	●	●	●	●	●	●	●	●	●	
35	FB80B35H	11.71	2	21.40				●	●	●	●	●	●	●	●	●	●	●	●	
36	FB80B36H	12.03	2	22.40				●	●	●	●	●	●	●	●	●	●	●	●	
40	FB80B40	13.31	2	26.00				●	●	●	●	●	●	●	●	●	●	●	●	
42	FB80B42	13.94	2	28.00				●	●	●	●	●	●	●	●	●	●	●	●	
45	FB80B45	14.90	2	30.70				●	●	●	●	●	●	●	●	●	●	●	●	
48	FB80B48	15.86	2	34.80				●	●	●	●	●	●	●	●	●	●	●	●	
54	FB80B54	17.77	2	44.00				●	●	●	●	●	●	●	●	●	●	●	●	
60	FB80B60	19.68	2	58.80				●	●	●	●	●	●	●	●	●	●	●	●	

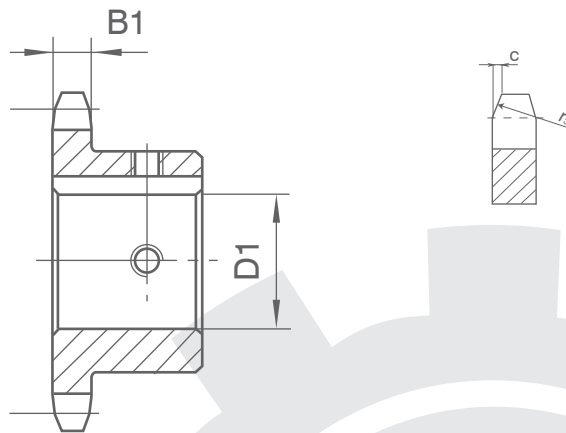


New Standard Power Transmission

FB^{inished}_{ore} **Sprockets**

100-1

1 1/4"X3/4"



TYPE 1

Pinions		Inches
Tooth Radius	r ₃	1.330
Radius Width	C	0.157
Tooth Width	B ₁	0.692

ROLLER-Ø0.750"

NSPT finished-bore sprockets are made of fine quality carbon steel S45C.

Their teeth are hardened to HRC40-50. After special aged treatment, they have stable quality, uniform hardness and good durability.

The surface is black oxidized and the products are boxed individually. They are in-stock with complete series for immediate delivery.

100-1 FOR 1 1/4" PITCH ANSI CHAIN

Teeth No.	Catalog NO.	O.D.	LTB	WT Lbs	Finished Bore D1								
					1	13/16	11/4	17/16	115/16	2	23/16	27/16	215/16
8	FB100B8H	3.77	17/8	2.80	●	●	●						
9	FB100B9H	4.18	17/8	2.00	●	●	●	●					
10	FB100B10H	4.60	17/8	3.90	●	●	●	●					
11	FB100B11H	5.01	17/8	4.90	●	●	●	●	●				
12	FB100B12H	5.42	17/8	6.00	●	●	●	●	●	●			
13	FB100B13H	5.82	15/8	6.20	●	●	●	●	●	●			
14	FB100B14H	6.23	15/8	6.60			●	●	●	●	●		
15	FB100B15H	6.63	13/4	8.40			●	●	●	●	●		
16	FB100B16H	7.03	13/4	9.00				●	●	●	●	●	●
17	FB100B17H	7.44	13/4	9.90				●	●	●	●	●	●
18	FB100B18H	7.84	13/4	10.60				●	●	●	●	●	●
19	FB100B19H	8.24	2	12.10				●	●	●	●	●	●
20	FB100B20H	8.64	2	13.20				●	●	●	●	●	●
21	FB100B21H	9.04	2	14.30				●	●	●	●	●	●
22	FB100B22H	9.44	2	15.10				●	●	●	●	●	●
23	FB100B23H	9.84	2	16.10				●	●	●	●	●	●
24	FB100B24H	10.25	2	18.10				●	●	●	●	●	●
25	FB100B25H	10.65	2	18.40				●	●	●	●	●	●